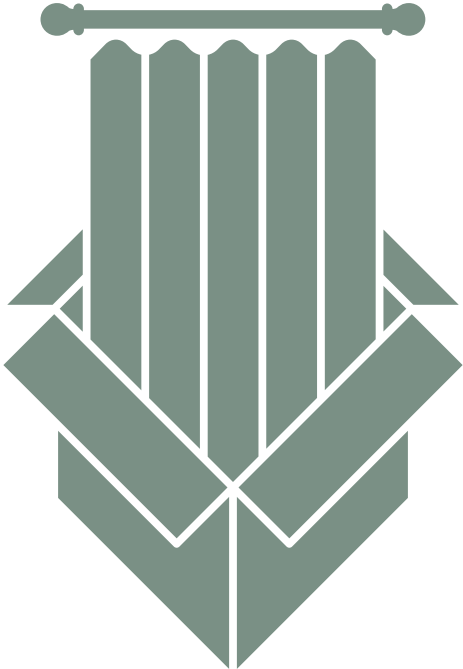


Ripple Fold Drapery
Installation Instructions

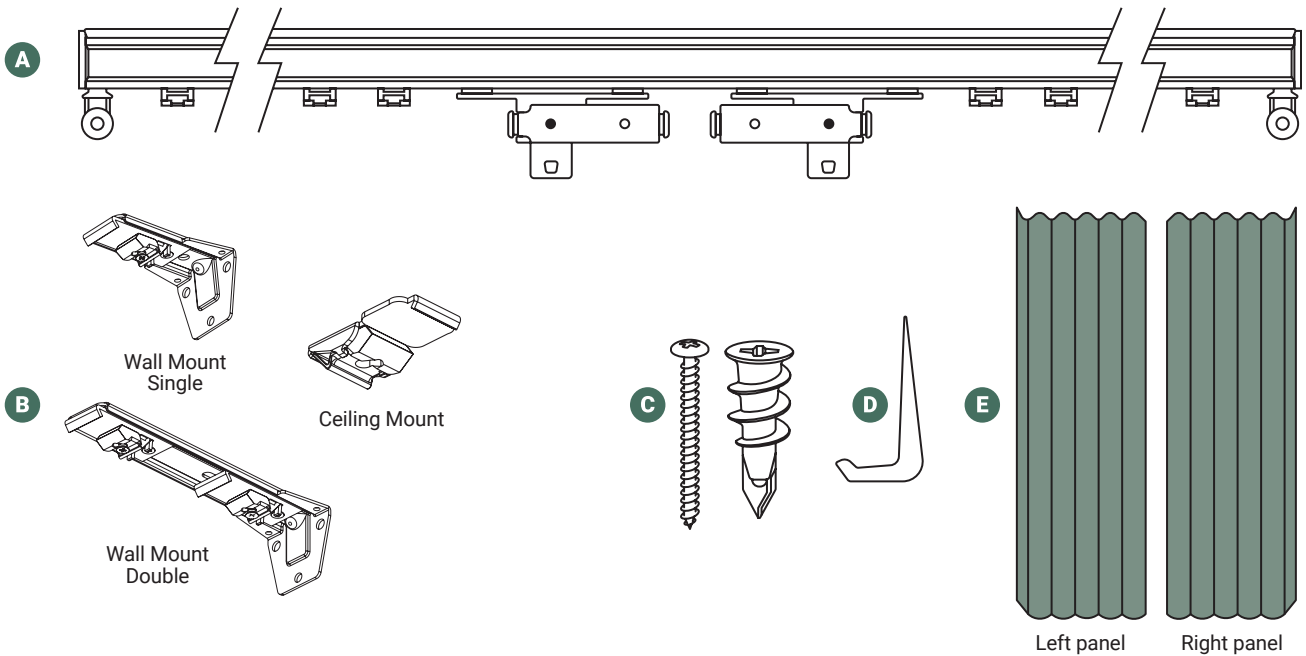


Before You Begin

Materials

Please read through all instructions carefully before you begin. Unpack all materials, making sure all parts are included:

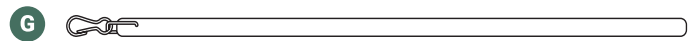
- A** Track(s) pre-installed with master carrier(s) & carriers
- B** Mounting brackets
- C** Screws & anchors
- D** Tenter hooks
- E** Drapery panel(s) with pre-installed carrier pendants
- F** Splice, if required
- G** Wand(s), if purchased



If Required

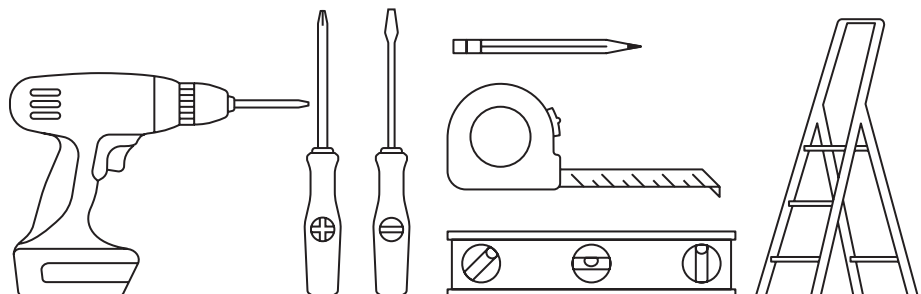


If Purchased



Tools You Will Need

- Drill with Phillips screwdriver bit
- Phillips screwdriver
- Standard screwdriver
- Pencil
- Metal tape measure
- Level (wall mount)
- Step ladder

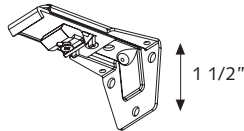


Track Installation (*Standard Track*)

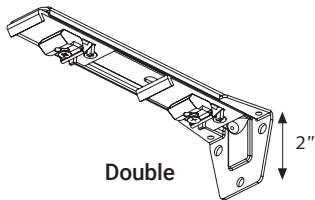
Hardware Information

Ripple fold drapery track can be **wall mounted** or **ceiling mounted**. Specific brackets are used for each application.

Wall Mount Brackets

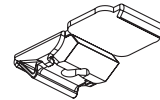


Single



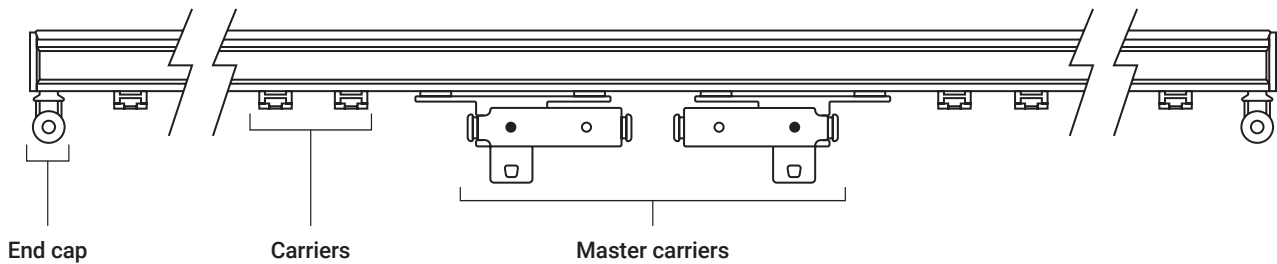
Double

Ceiling Mount Bracket

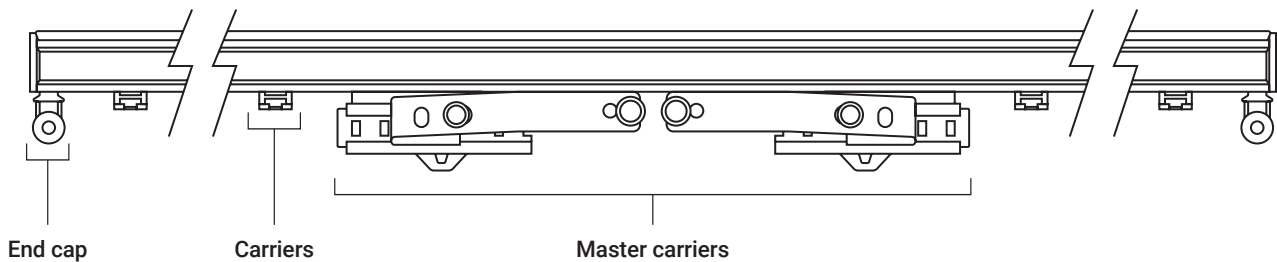


The ripple fold track that we provide is pre-cut and pre-loaded with the appropriate carriers for each of the drapes that we have made for you. That track locks into the brackets discussed above. Carrier will have the opening facing into the room for connection.

Butt Master Carriers - front view



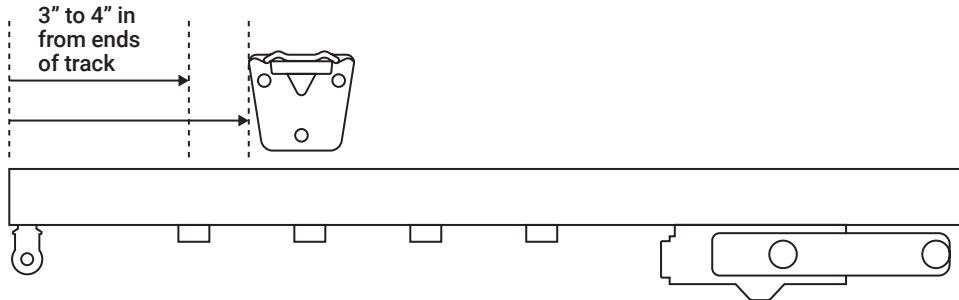
Overlap Master Carriers - front view



Step 3 - Bracket Placement

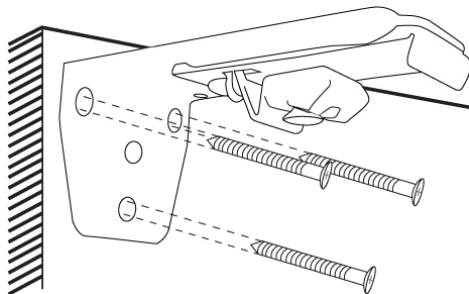
Measure the width of the track and mark the two end brackets approximately 3" - 4" in from the ends of the track. Evenly space the remaining brackets and place corresponding marks. We also recommend that you aim to mount as many brackets as possible into studs or window header. We recommend that brackets be installed within every 24" - 36" of track to support your drapes. If you do not have enough brackets, call us at 1-800-256-5005. When studs are not located in the 24" - 36" spacing, the provided anchors **must be used** to install brackets for standard Sheetrock. For other wall types, use appropriately rated anchors (not included). It is not critical that the brackets are spaced evenly. As they will be hidden by the drapes, the brackets can be spaced unevenly to catch a stud.

HINT To find wall studs, use a thin finish nail to tap through sheet rock or use a stud finder available from a hardware store.

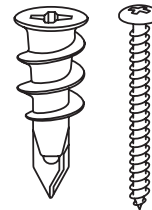


Step 4 - Mount Brackets

For wood frame header or wall stud locations, drive provided screws directly into wall. When studs are not located where bracket is installed, use Phillips bit to drive provided anchor into sheetrock and then screws into the anchors. The provided anchors **must be used** to install brackets for standard sheetrock. *For other wall types, use appropriately rated anchors (not included).

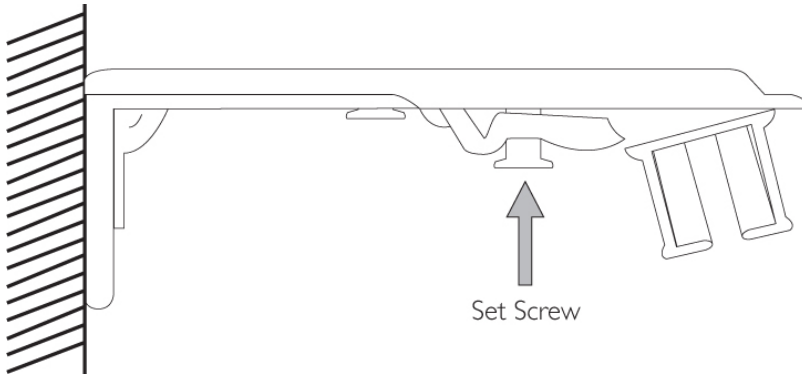


Use anchors when wall studs are not accessible*



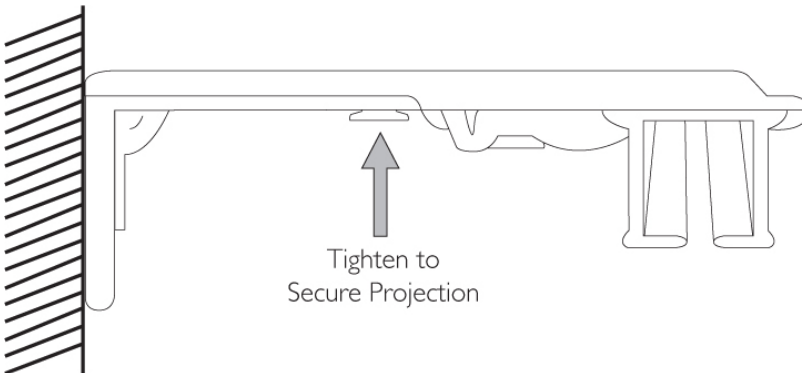
Step 5 - Attach Track

Place the track into the bracket as shown in the drawing; applying pressure until track “clicks” into bracket. Make sure track set screw is loose enough to allow the track retainer to flex. Repeat this step for the remaining brackets.



Step 6 - Adjust Projection

Adjust track to desired projection (distance from the wall). Projection is adjustable from 3" - 4 ½". Repeat this step for the remaining brackets. Once the desired projection is set for all the brackets, lock the bracket into position by tightening the track depth adjustment set screw. All brackets need to be set at same projection.

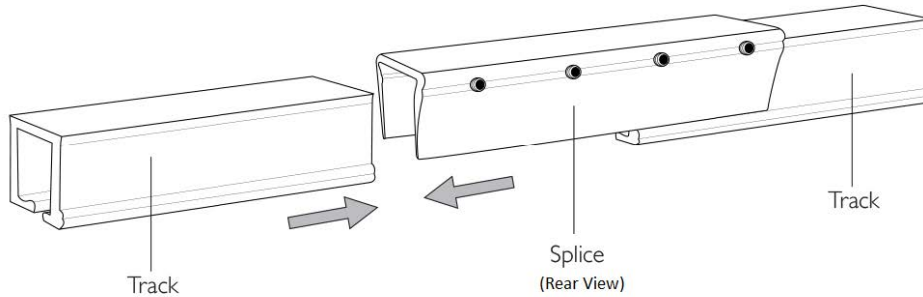


PROCEED TO DRAPERY PANEL INSTALLATION ON PAGE 7

Ceiling Mount Instructions

Step 1 - Installing Splice (if required)

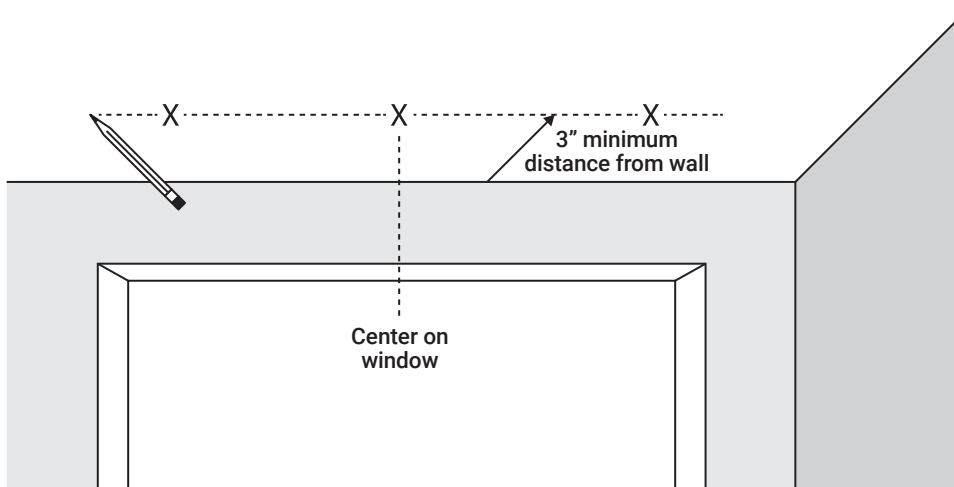
Typically for tracks 96" or longer, tracks are shipped in multiple pieces and will require a splice. If splice is not required, proceed to Step 2 - Track Position.



1. Slide the track of the connecting ends on each track into the channel of the splice and butt ends together.
2. Tighten locking screw with hex key for a secure fit.

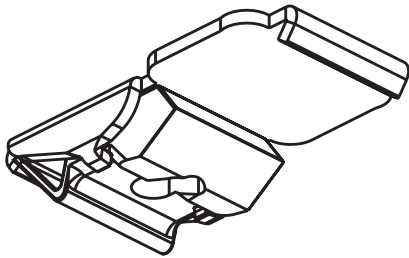
Step 2 - Track Position

Most of the time we recommend centering on window/door. Measure the width of the track and mark the two end brackets approximately 3" - 4" in from the ends of the track, preferably on ceiling joists. Brackets should be a minimum of 3" from the wall. Evenly space the remaining brackets, preferably on ceiling joists, and place corresponding marks in a straight line.

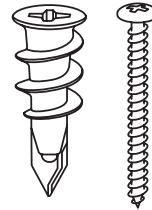


Step 3 - Mount Brackets

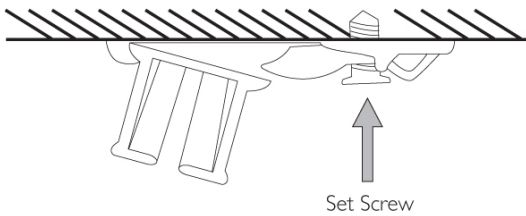
For ceiling joist locations, drive provided screws directly into ceiling. When ceiling joists are not located where bracket is installed, use Phillips bit to drive provided anchor into sheetrock and then screws into the anchors. The provided anchors **must be used** to install brackets for standard sheetrock. *For other wall types, use appropriately rated anchors (not included).



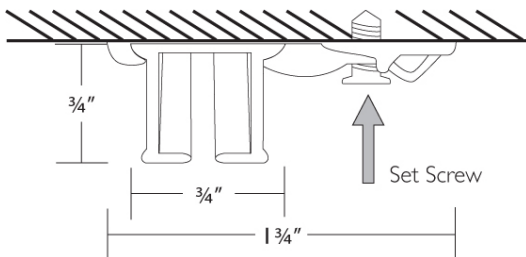
Use anchors when ceiling joists are not accessible*



Step 4 - Attach Track



Place the track into the bracket as shown in the drawing; applying pressure until track “clicks” into bracket. Make sure track set screw is loose enough to allow the track retainer to flex. Repeat this step for the remaining brackets.



Tighten track set screws on all the brackets to secure track to brackets.

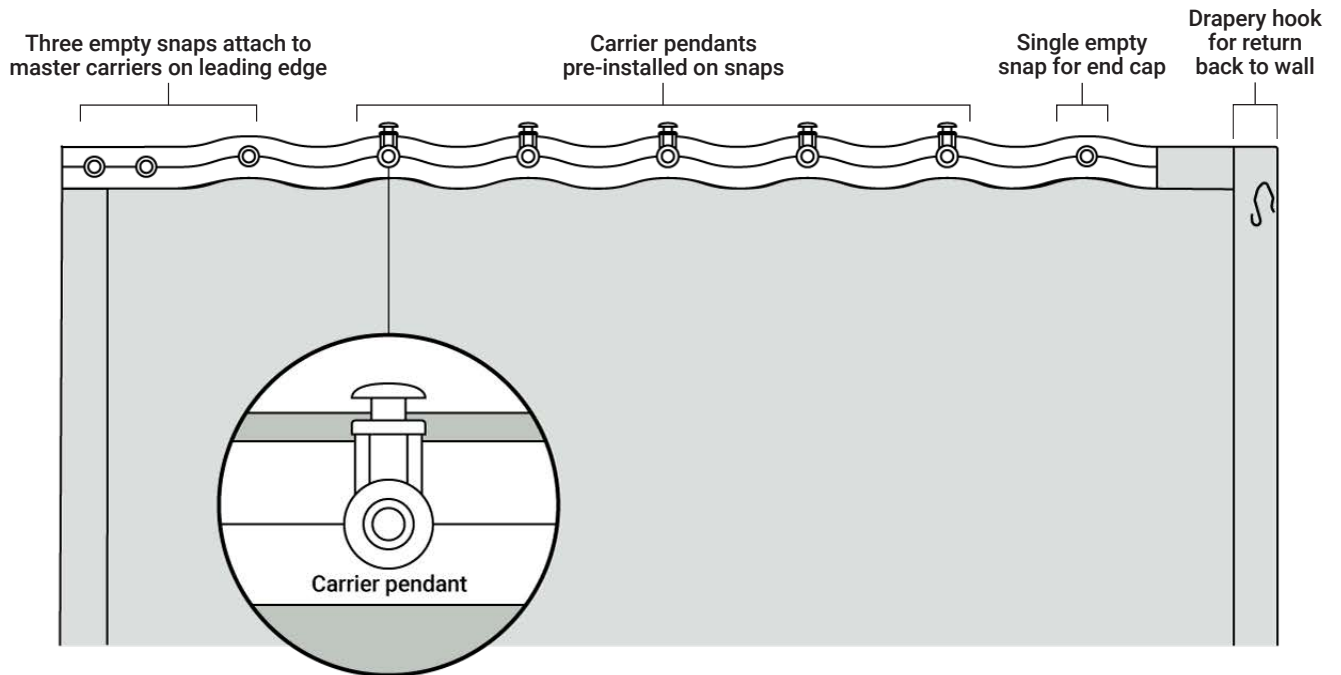
DOUBLE BRACKET SPACING Bracket clips should be set at the extreme edges (apart from each other) to allow the drapery to move independently without interference.

Drapery Panel Installation

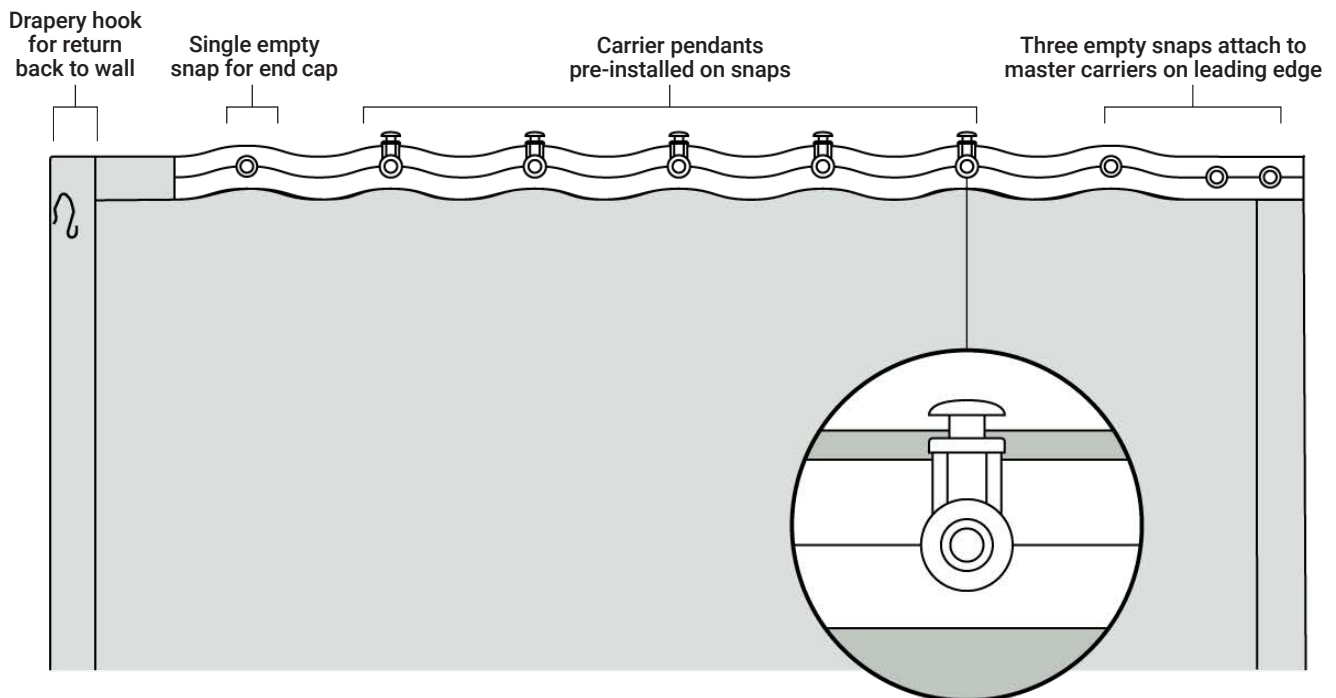
Before You Begin

Familiarize yourself with the panels. Panels will be labeled left or right and will be configured as follows:

Back of Left Panel



Back of Right Panel

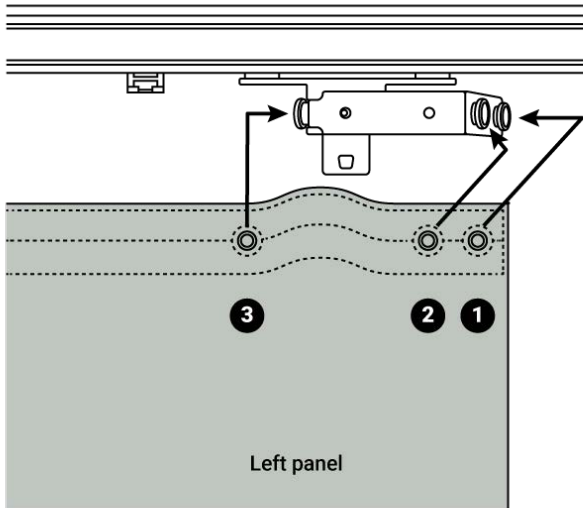


Step 1 - Attach to Master Carriers

Begin by snapping the first two buttons on the leading edge to the master carrier.

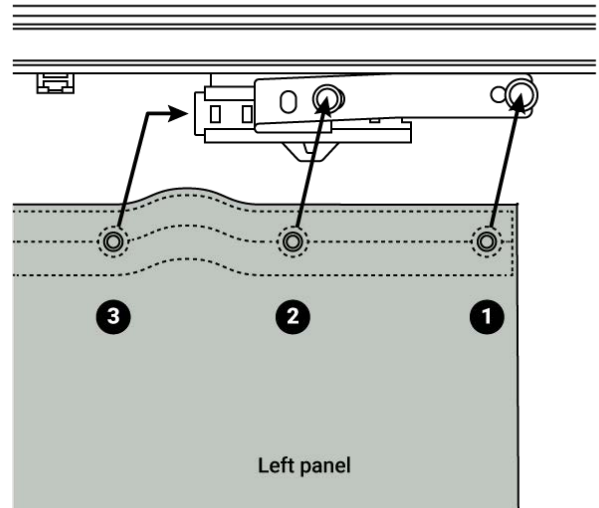
Butt Master Carriers

Typically used for most drapes. Snap the third snap into the snap on the side of the butt master carrier.



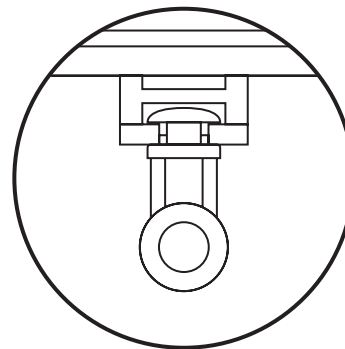
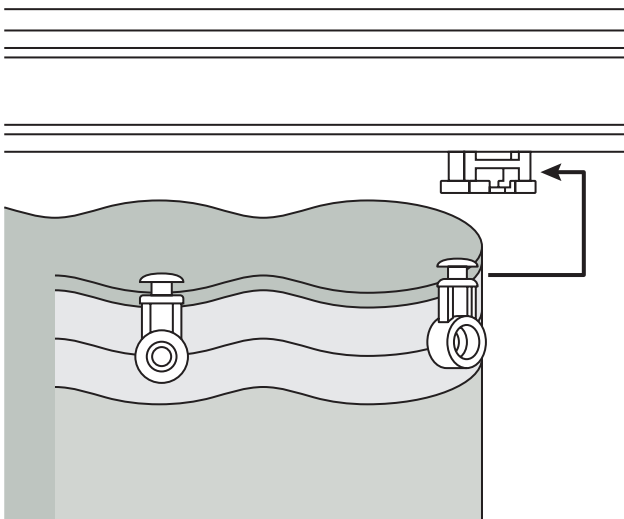
Overlap Master Carriers

Typically used for drapes with blackout linings. Snap the third snap into the plastic hole on the side of the master carrier.



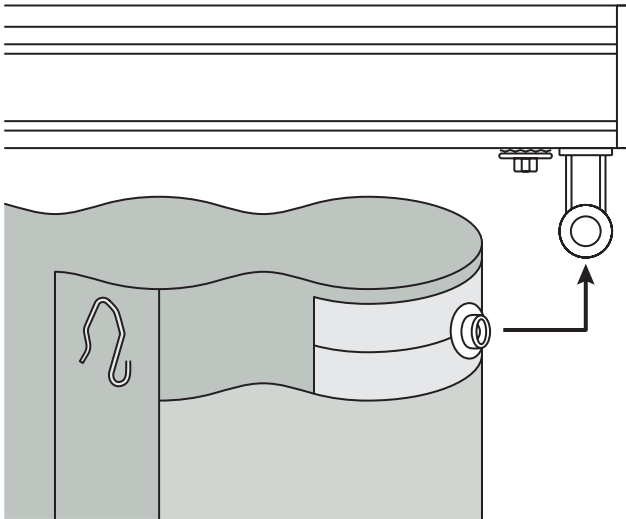
Step 2 - Attach Pre-snapped Pendants

Insert the remaining pre-snapped pendants onto the carriers. Should hear them click into place.



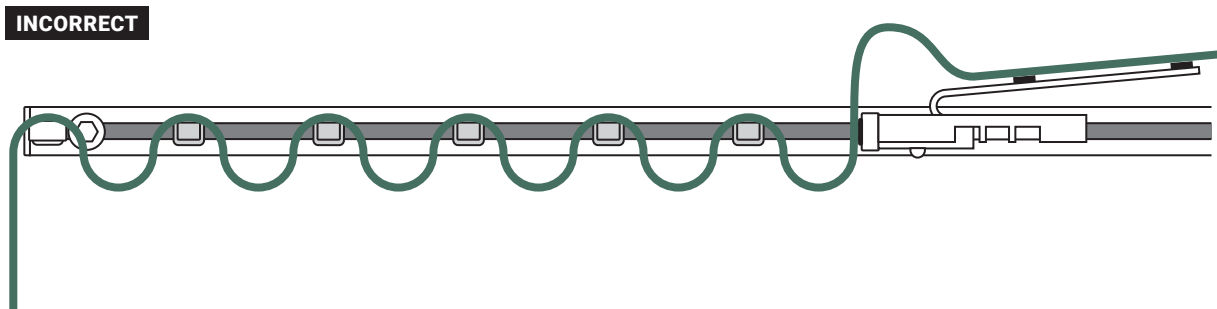
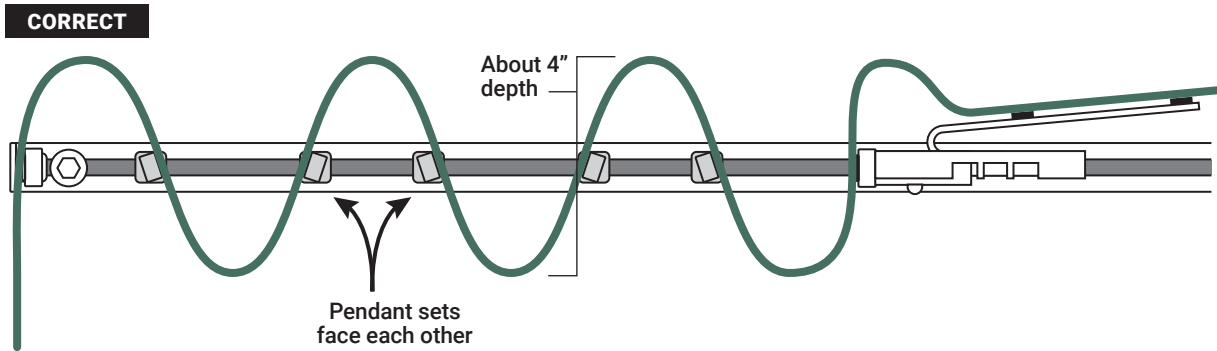
Step 3 - Snap to End Cap

Install the last snap onto the stationary carrier in the end cap.



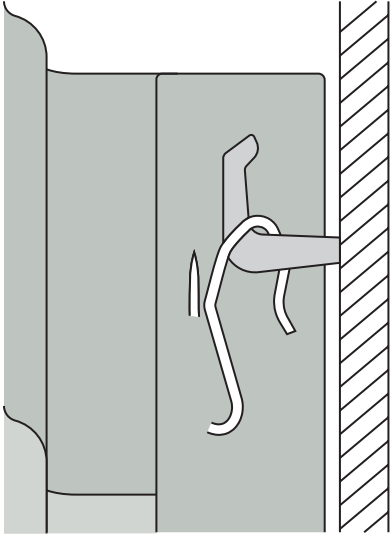
Step 4 - Dressing the Folds

Once all pendants are installed, gather the drapery by creating S-like folds. Start from the main carrier and work toward the other end. Dress the fabric into S folds by pushing towards wall and pulling out into room. Each set of two pendants should face each other. Each "S" should take up about 4".



Step 5 - Connect Drapery Return to Wall

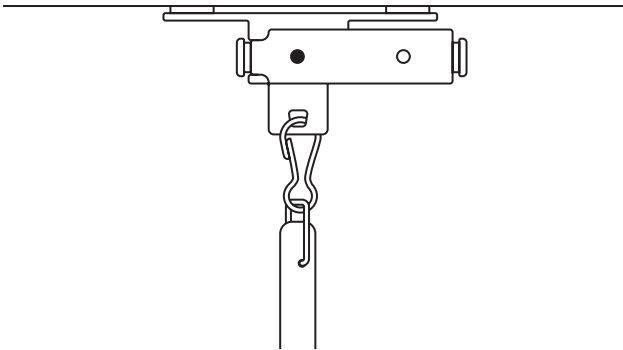
Affix the tenter hook to the wall, and attach the pre-installed drapery hook to the tenter hook to create a return. This will return the drape to the wall, concealing any side-light view. Drapery pin can be adjusted to desired return height.



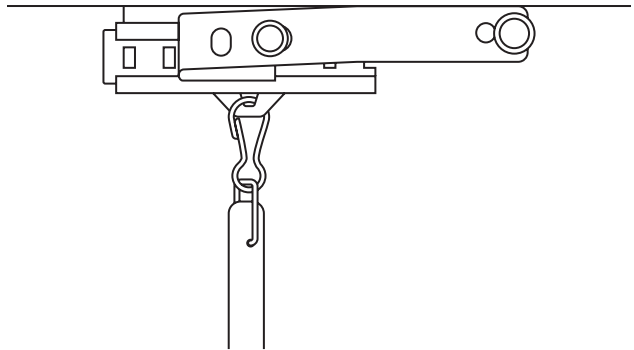
Step 6 - Attach Wand(s)

Attach the wand (if purchased with your drapes) to the master carrier. Simply fit the metal hook on the wand through the slot in the carrier below the snaps.

Butt Master Carriers



Overlap Master Carriers



Ripple Fold Drapery Installation Instructions

Drapery Care

Pardon my wrinkles, I've been through a long trip. Most of my wrinkles can be shaken out and will release after I've been hanging for a week or two.



If you wish, you can iron the drapes with a light steam setting on an ironing board. Be sure to place a barrier fabric over the drapes. Do not iron directly. Remember, use light steam and keep the iron moving.



Or, use a steamer unit when the drapes are hung. Reasonably priced steamer units are available at Amazon, Wal-Mart, Target, etc. Certain fabrics like silks or linens have natural characteristics that steaming won't remove.



Drapes are Dry Clean Only. You may also clean our drapes or roman shades with a vacuum attachment (covered with nylon or cheesecloth).

Questions? Comments?

Our dedicated customer service team is available to answer any questions you may have about your drapery or installation. Contact us at 1-800-256-5005 or email customercare@regaldrapes.com.



800-256-5005 | RegalDrapes.com