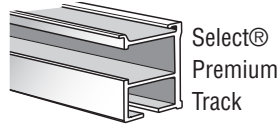




Metal Premium Traverse Rod Installation Instructions



Select® Premium Track



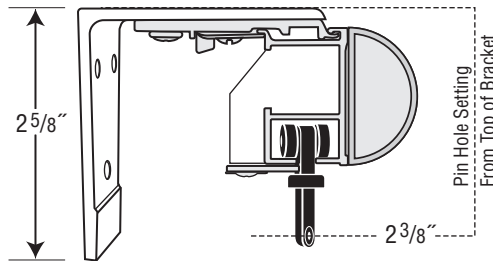
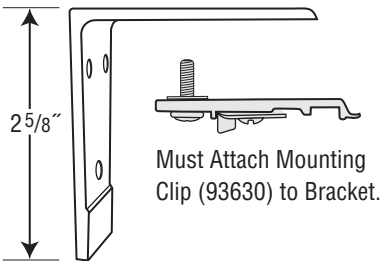
Select® Premium 2-Wheeled Carrier (92923)

Bracket Options

The appropriate number and type of brackets will be included based on rod length and design choice.

Fasteners are not included. Proper fasteners, screws and mounting hardware must be determined by the installer based on mounting surface material.

Standard Heavy Duty Single Wall End Bracket - 94123



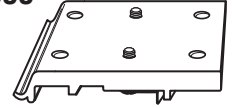
Mounting Clip - 93630

Must be attached to underside of each bracket for Rod Installation.



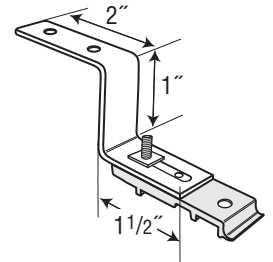
Pole Splice - 93633

Use when 2 rods are to be spliced together.

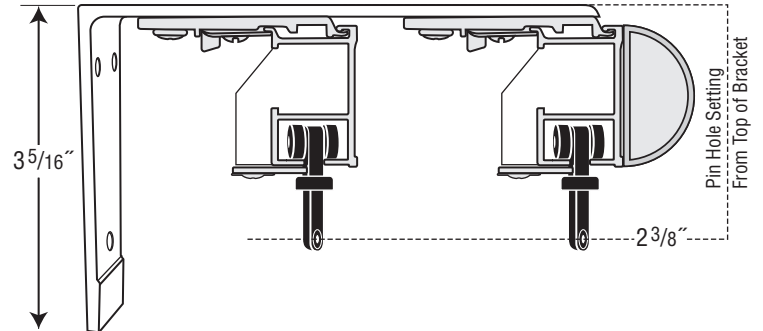
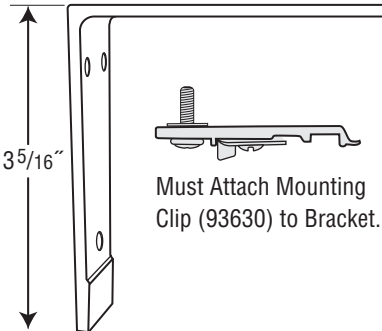


Ceiling Mount Bracket - 1797

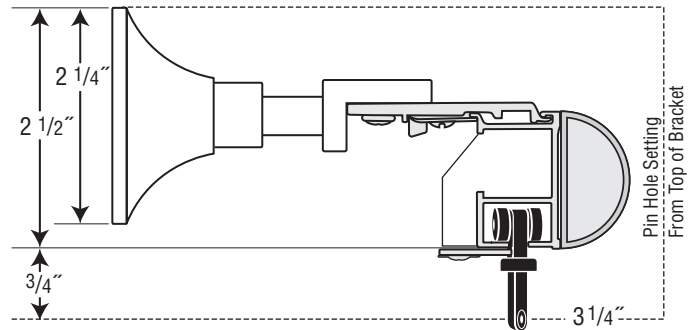
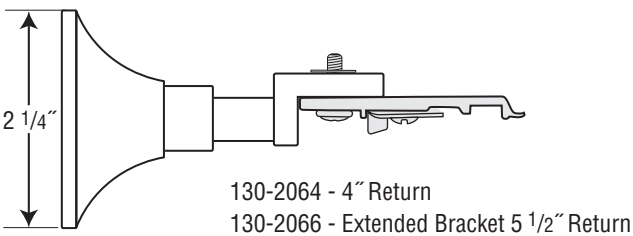
Must attach Mounting Clip (93630) to bracket in order to install rods.



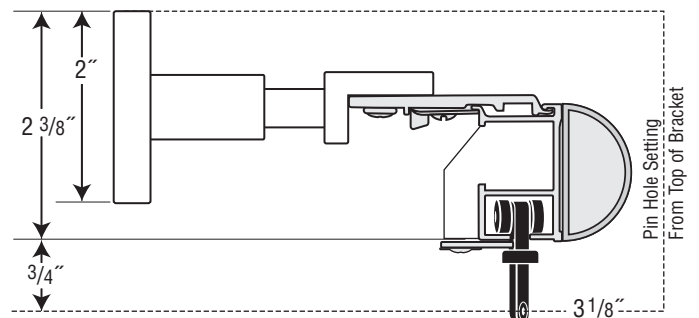
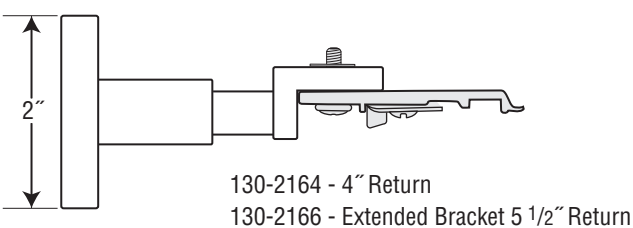
Standard Heavy Duty Double Wall End Bracket - 94125



Round Decorative Traverse Bracket - 130-2064 & 130-2066



Square Decorative Traverse Bracket - 130-2164 & 130-2166





Metal Premium Traverse Rod Installation Instructions

1. Install Brackets

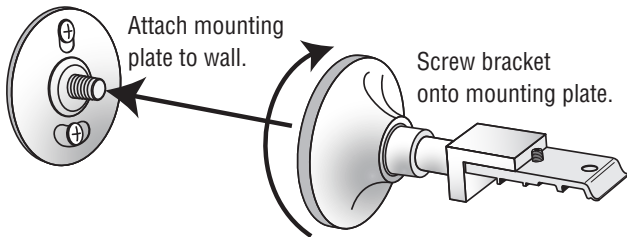
- Determine placement of end brackets based upon rod length.
- Determine height (distance from floor) of brackets based on length of draperies, floor clearance required and bracket design.

Attach Standard Wall End Brackets

- Fasten brackets securely to mounting surface.
Installer must furnish the proper fasteners based on type/material of mounting surface.
- If included, evenly space additional brackets between end brackets. All brackets must be level for rod installation.

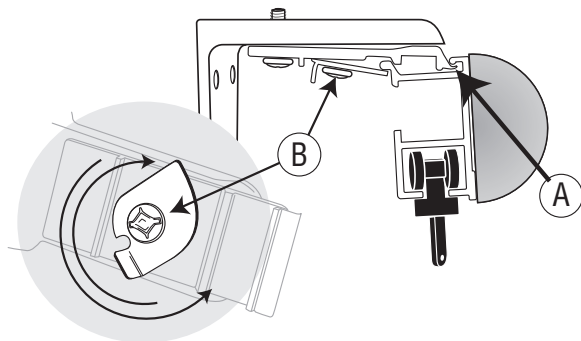
Attach Decorative Brackets

- Fasten Decorative Brackets to wall in desired location.
Installer must furnish the proper fasteners based on type/material of mounting surface.
- If included, evenly space additional brackets between end brackets. All brackets must be level for rod installation.



2. Attach Rod to Brackets

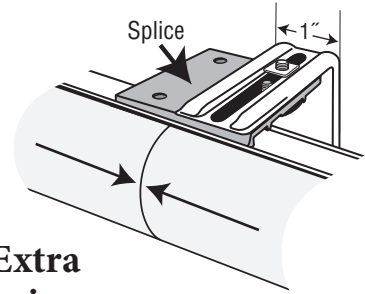
- Inserting mounting clip into front lip of Track at "A".
- Pivot the back of track up to allow cam lock "B" to rotate and tightened to catch the back lip of track.



- Ceiling mount, double mount and decorative bracket installations use the same mounting clip (93630) and rods attach the same way.

Pole Splice

- When 2 rods are to be spliced together use Splice (93633).



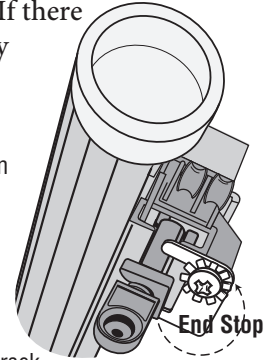
3. Remove Any Extra Unneeded Carriers

- Before hanging drapery count the number of wheeled carriers your drapery will require. If there are more carriers than needed they should be removed.

Looking at the bottom of the drapery rod, loosen End Stop screw so that End Stop can swing to release wheeled carriers.

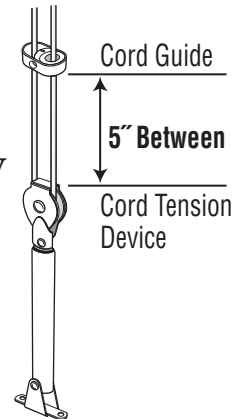
Remove any extra carriers and capture end most carrier with End Stop to lock remaining carriers within track.

Tighten End Stop Screw to lock carriers in track.

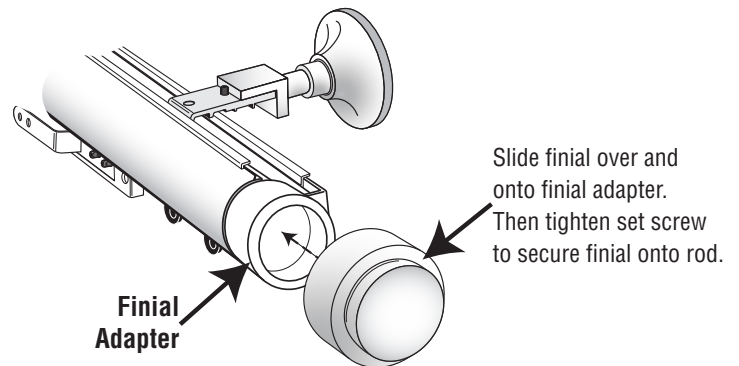


4. Install Cord Safety Device and Tension Pulley

- For child and pet safety, install safety devices provided.
- If cord safety devices are not installed traverse rod will not function properly.



5. Add Finials to Ends of Rod



6. Hang Draperies Onto Rods

- It is best to start from Traverse Rod Master and work toward end brackets.