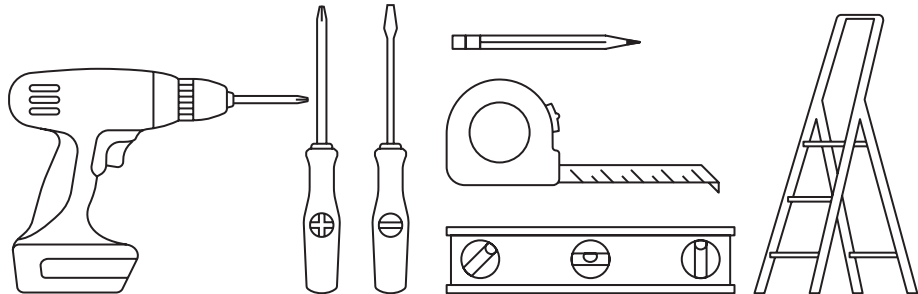
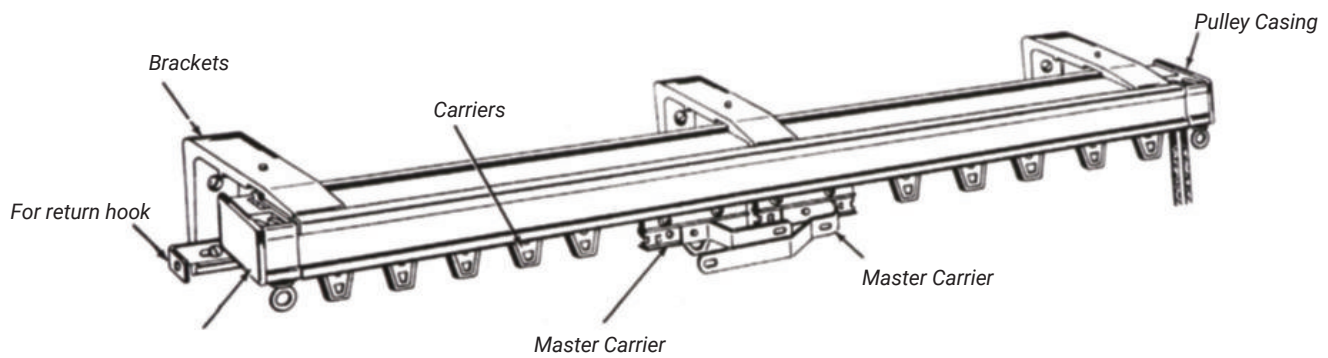


Tools You Will Need

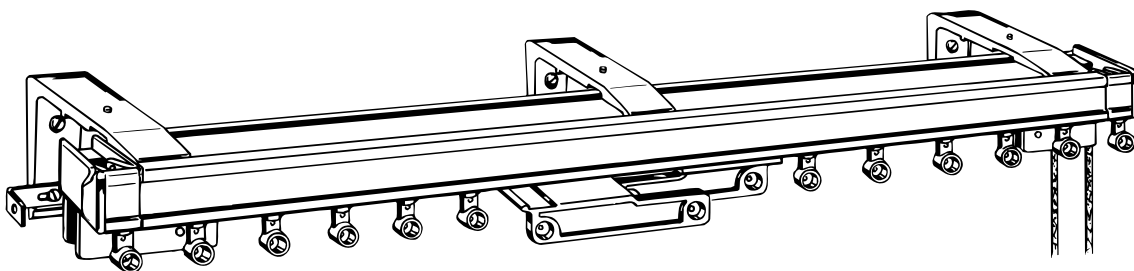
- Drill with Phillips screwdriver bit
- Phillips screwdriver
- Standard screwdriver
- Pencil
- Metal tape measure
- Level (wall mount)
- Step ladder



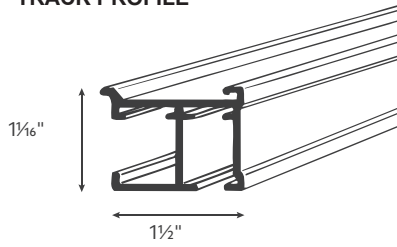
Configuration for Pleated and Flat Panel Drapes



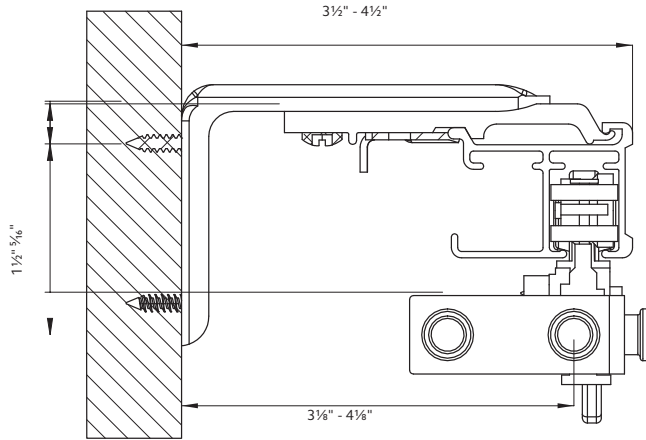
Configuration for Ripplefold Drapes



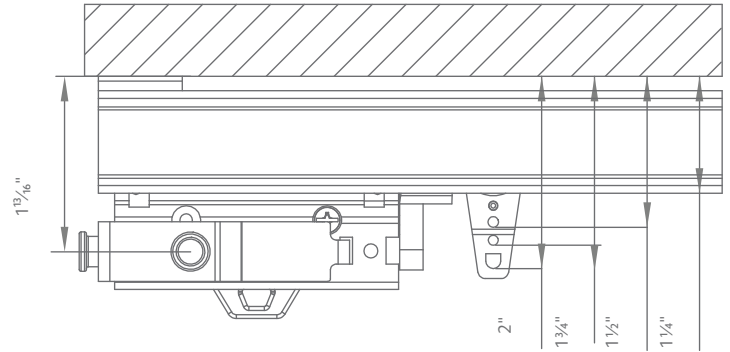
TRACK PROFILE



WALL MOUNT

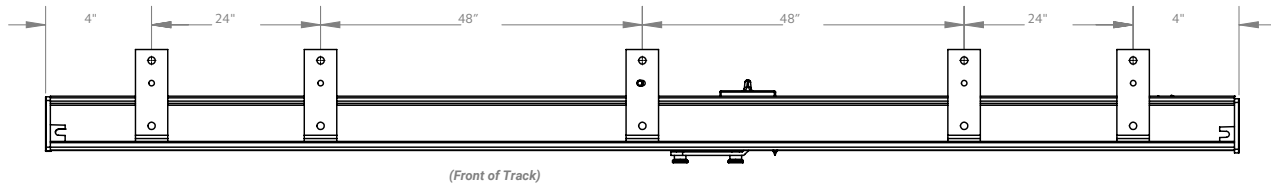


CEILING MOUNT



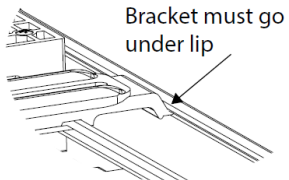
INSTALLATION

Overhead View of Track



INSTALLING BRACKETS

Install two brackets 24" apart at each drapery stacking end of rod. Additional brackets should be spaced at 48" intervals.



Bracket must go under lip

MOUNTING TRACK

Put track on brackets and lock into place by turning cam with screwdriver.

HANGING THE DRAPES

Hang the drapery on the rod starting at the "master carrier" and moving out to the drapery return.