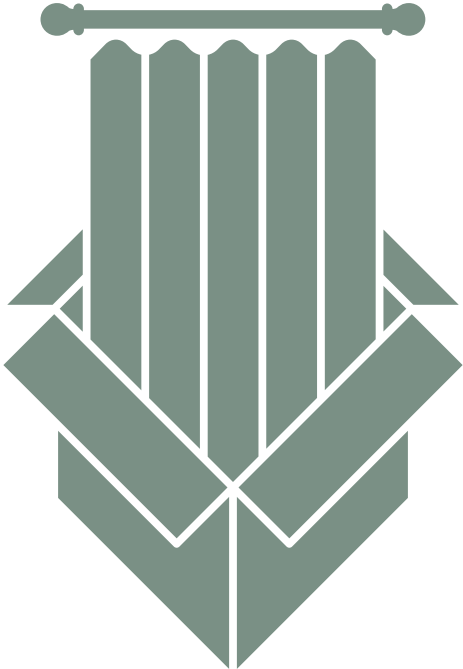


Board-Mounted Valance Installation Instructions

REGAL DRAPES



Board-Mounted Valance Installation Instructions

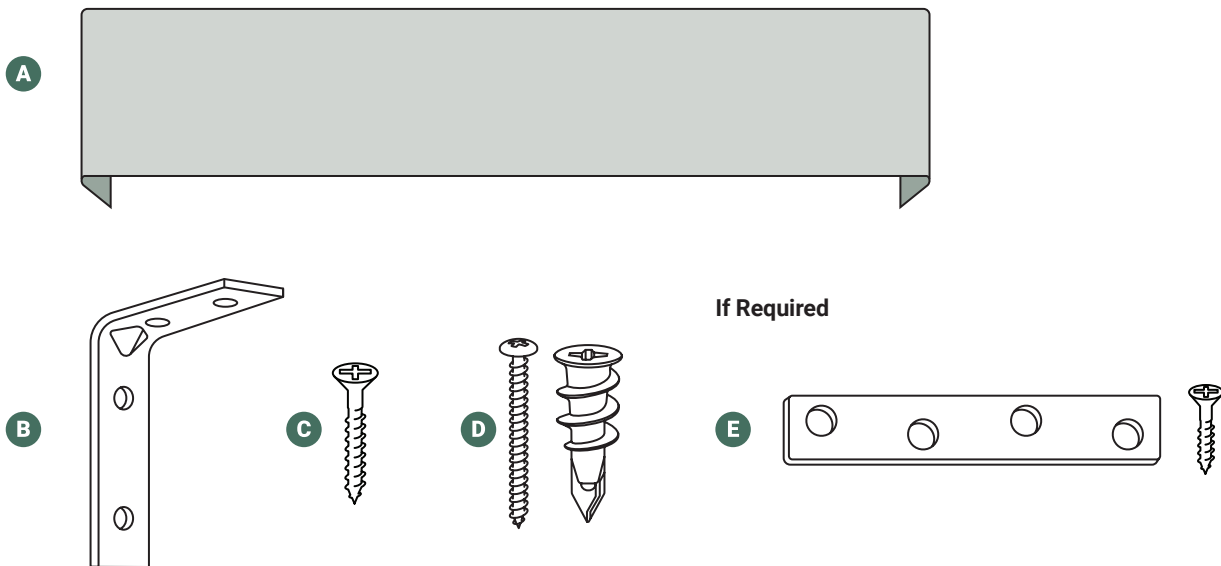
REGAL DRAPES

Before You Begin

Materials

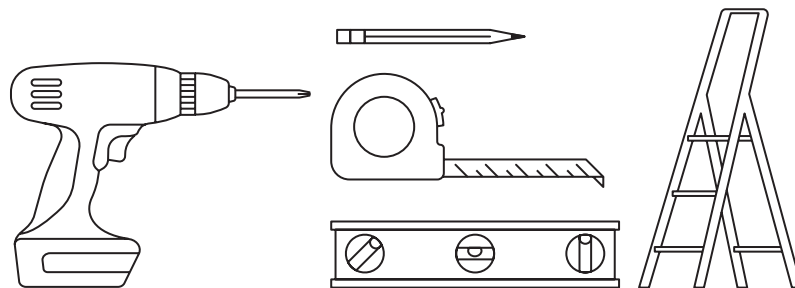
Please read through all instructions carefully before you begin. Unpack all materials, making sure all parts are included:

- A** Valance
- B** L-brackets - to be installed no greater than 36" apart
- C** Wood screws - for mounting L-bracket to board
- D** Screws & anchors - for mounting L-bracket to wall
- E** Mending plates & screws - required for valances over 96"



Tools You Will Need

- Drill with Phillips screwdriver bit
- Pencil
- Metal tape measure
- Level
- Step stool / ladder

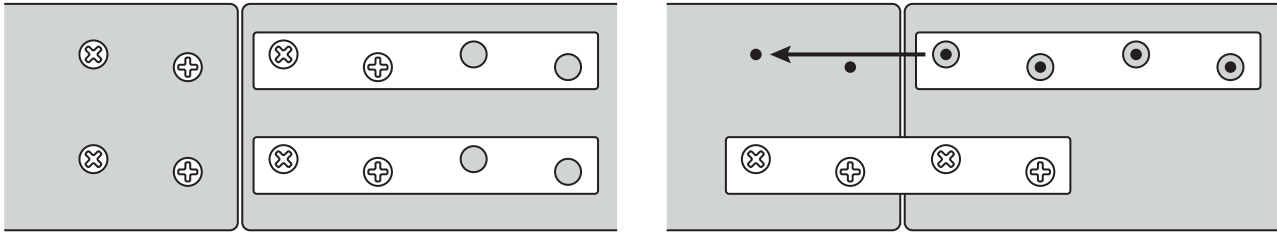


Board-Mounted Valance Installation Instructions

Installation

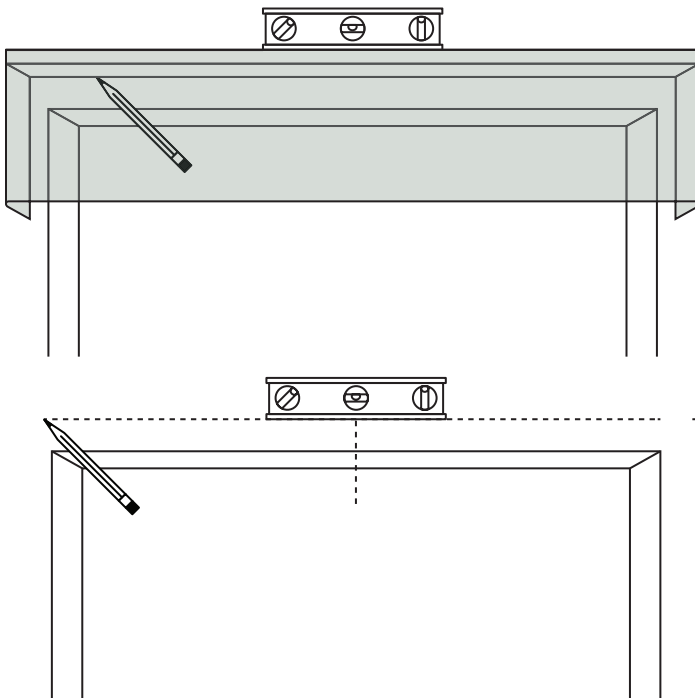
Step 1 - Install Mending Plates (if required)

Valances over 96" wide will have 2 mending plates temporarily installed. Remove and save the 8 screws (they will be reused on mending plates). Slide mending plates over the seam of board and align with the pre-drilled holes. Install the removed screws and repeat for the 2nd mending plate.



Step 2 - Determine Valance Position

Hold valance and level above the window to determine the placement height. With a pencil, mark the wall of the underside of the board. This will be the mark for the top of the L-brackets. Mark a level line across the wall shorter than the width of valance.



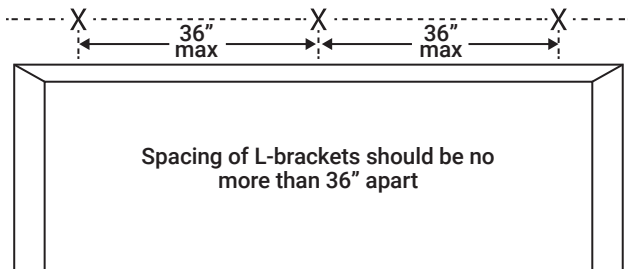
NOTE In some homes actual level does not appear level. It is best to check visually and adjust, if necessary, before installing brackets.

Step 3 - L-Bracket Placement

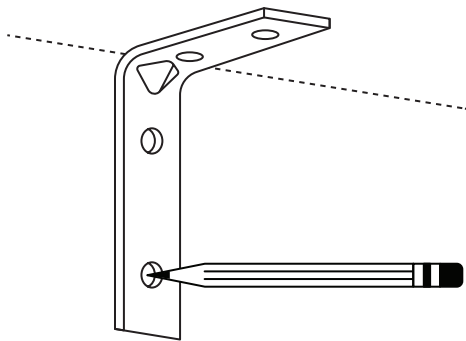
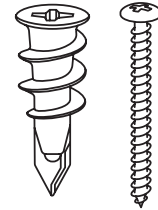
• Locate the studs or window header. Spacing of L-brackets should be no more than 36" apart. As they will be hidden by the valance, the brackets can be spaced unevenly to catch a stud. If you have to install brackets where studs are not located, the provided anchors **must be used** to install brackets for standard sheetrock. For other wall types, such as brick, concrete, etc., use appropriately rated anchors (not included).

HINT To find wall studs, use a thin finish nail to tap through sheetrock or use a stud finder available from a hardware store.

• Use the L-bracket to mark the holes.

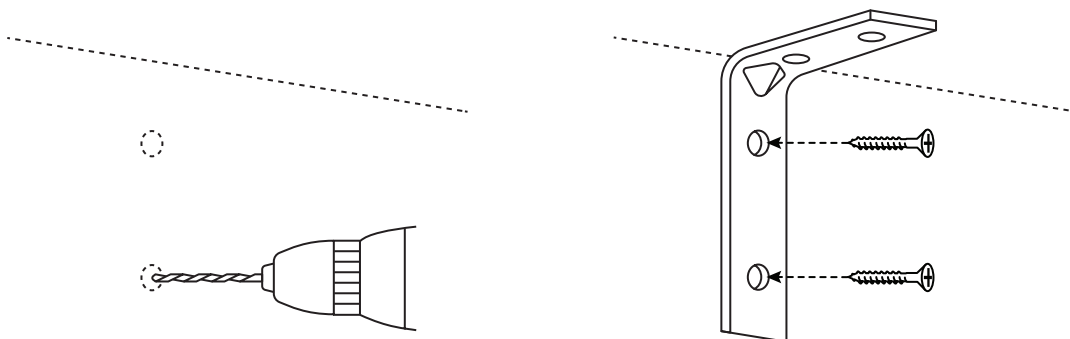


Use anchors when wall studs are not accessible*



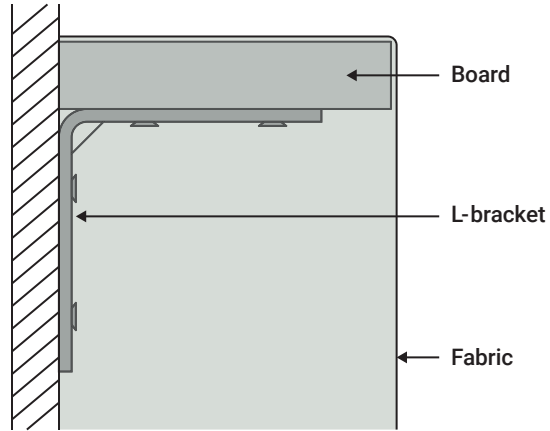
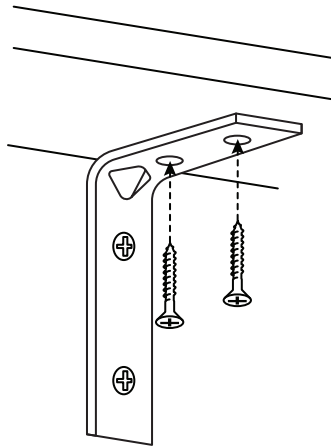
Step 4 - Mount L-Brackets

Pre-drill holes. Attach L-brackets to the wall. Use anchors if not attaching to studs.



Step 5 - Attach Valance to L-Brackets

Place valance on top of L-brackets, hold in place so it will not fall. Make sure valance is centered and positioned on the wall. Make sure the board is tight to the wall. Insert the small woodscrews through the L-bracket into the white underside of the valance board.



Side view of installed valance

Valance Care

Pardon my wrinkles, I've been through a long trip. Most of my wrinkles can be shaken out and will release after I've been hanging for a week or two.



If you wish, you can iron the valance with a light steam setting. Do not iron directly, be sure to place a barrier fabric over valance. Remember to use light steam and keep the iron moving.



Or use a steamer unit when the valance is hung. Reasonably priced steamer units are available at Amazon, Walmart, Target, etc.



Valances are Dry Clean Only. You may also clean our valances with a vacuum attachment (covered with nylon or cheesecloth).

Questions? Comments?

Our dedicated customer service team is available to answer any questions you may have about your valance or installation. Contact us at 1-800-256-5005 or email customer care@regaldrapes.com.